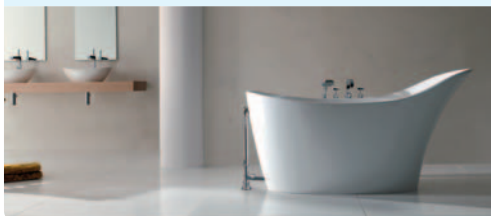


Amalfi AML-N-SW



Contemporary slipper tub

- Ultra contemporary freestanding design
- Supplied complete with integral plinth
- Made from ENGLISHCAST™
 - One piece casting of rare volcanic limestone and resin
 - Harder and more durable than acrylic
- Easy clean high-gloss finish
- Exterior can be painted, faux finished or stenciled
- 25 year warranty



Options to be Specified

Tub:

- **No faucet holes**
Recommended for use with optional Lido Grande freestanding faucet stand **LID-N-LG**
Suitable for freestanding or wall mounted faucets

Note Due to the design of the rim this product cannot be drilled for faucet holes.

Headrest:

- Custom Amalfi headrest - Black **HR-AML-BK**



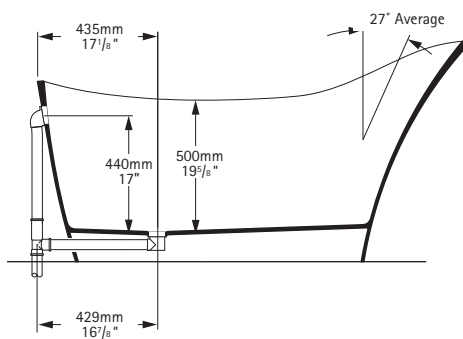
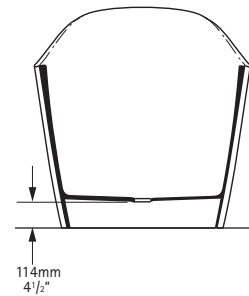
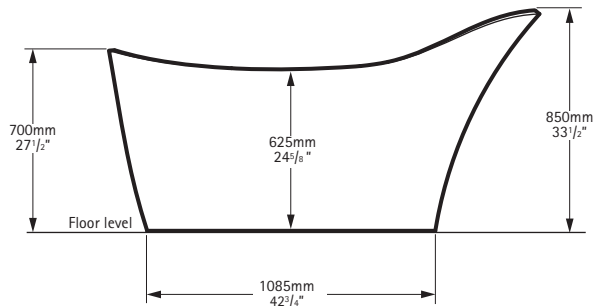
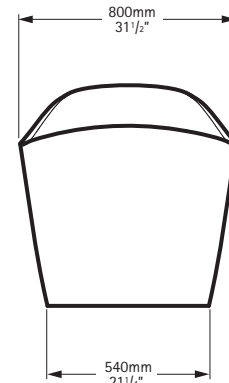
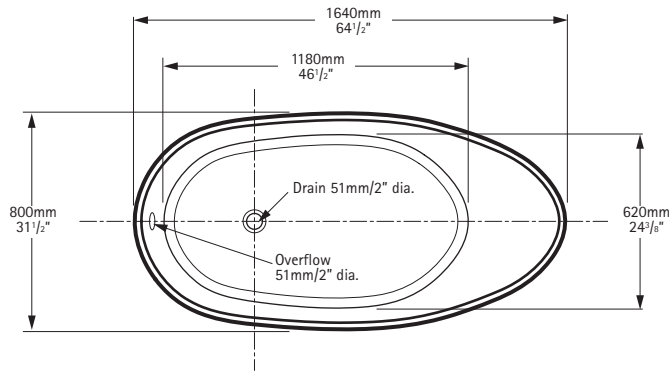
Recommended Drain:
Standard Drain - **STD-UNI-XX**

Note: For product specifications please see over



Amalfi AML-N-SW

Contemporary slipper tub



General specifications for Amalfi tub

Installed size	64 1/2" x 31 1/2" x 24 5/8" - 33 1/2"
Weight	150lbs
Weight with water	679lbs
Gallons to overflow	63 7/8 gallons
Bathing well at sump	46 1/2" x 24 3/8"
Water depth to overflow	17"

Notes

Refer to installation instructions supplied with tub for additional information. Fittings (faucets & drain assembly) not included and must be ordered separately.

Important

Dimension of fixtures are nominal and may vary within the range of tolerances established by ANSI standard A112.19.4M.

These measurements are subject to change or cancellation.

No responsibility is assumed for use of superseded or void leaflet.